

Multi-Lock Sleeper Recliner with Trendelenburg

628-52



Product Description

Straight back infinite position recliner

628S-52

Style: Suspend

Model: 628s-52

Mechanism: Sleeper recliner with trendelenburg

Operation: Independent footrest and back recline with pedal operated reverse recline

Flare back infinite position recliner

628F-52

Style: Suspend

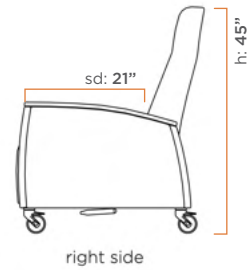
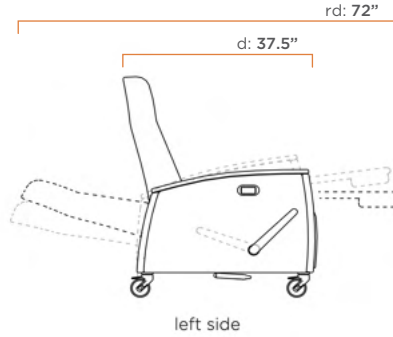
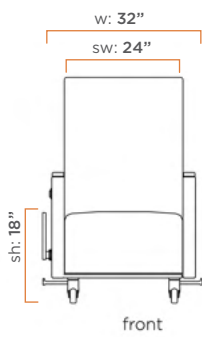
Model: 628f-52

Mechanism: Sleeper recliner with trendelenburg

Operation: Independent footrest and back recline with pedal operated reverse recline

Dimensions

W	D	H	SW	SD	SH	RD	COM	WT Cap
32"	37.5"	45"	24"	21"	18"	72"	7 yds	550 lbs



Design Features

- Workhorse recliner built to withstand the rigors of 24/7 care
- Independent back and footrest allows for infinite reclining positions
- Available with multiple caster options for mobility and patient transport
- Intuitive Trendelenburg pedal
- Field replaceable components
- 550 lb Weight Capacity and optional Fall Prevention Technology

Performance & Environmental Sustainability

- 550 lb capacity
- HHI Compliant
- 12 Year Warranty
- Air Quality Certification BIFMA

Options

Arm Cap Options

- STANDARD** Upholstered arm caps / Specify color
- STANDARD** Wood finish arm caps / Specify color
- 4628PEA** Polyester arm caps / Specify color
- 4628SSA** Solid surface arm caps / Arctic White

Caster Options

- STANDARD** 3" Swivel Locking Caster
- 4052cls-3** 3" Central Locking System

Back Style Options

- STANDARD** Straight back
- 4628AHB** Adjustable head bolster / Straight back style
- 4628F** Flare back

Footrest lever Options

- STANDARD** Steel footrest
- 4000PFL** Polyester lever / Specify color
- 4000PFL** Custom polyester lever / Specify color

Accessories

- | | |
|---|---|
| 4000DBH Drainage bag hook-up / set of two | 4000IPC iPad Cradle |
| 4000XTH Oxygen tank holder | 4000SPT2 BKH Swivel Profile Tablet / 14x19 Thermofoil Top |
| 4000XMB1 Seat moisture barrier | 4000SPT2X BKH swivel profile tablet / 15 x 21.5 thermofoil top |
| 4000PBS Soft grip push bar | 4000FST Folding side tablet / 10x13 thermofoil top |
| 4000IVP IV Pole & holder | 4000FSTX Folding side tablet / 10x17 thermofoil top |
| 4000IVH IV Pole holder only | 4000SWT Swiveling side tablet / 10x13 thermofoil top |
| 4000PRD Paper roll dispenser / attached to back of chair | 4000SWTX Swiveling side tablet / 10x17 thermofoil top |
| 4000FRG Footrest guards / black plastic | 4000POP One 3-prong outlet / no USB |
| 4000FAR Folding Arm | 4000USB-P Single round outlet & 2 USB ports with power cord |
| 4000RFT Rolling foot tray | 4000PCS61A One 3-prong outlet & 2 USB ports with power cord |
| 4000ETV Ergotron TV arm / no wiring | 4000HG-GD One 3-prong outlet & 1 USB ports with power cord |
| 4000HSL-NM Heated seat & lumbar | FPT 300 lb Footrest (Fall Prevention Technology) |
| 4000HC-MSG Heated seat & lumbar with massage | |

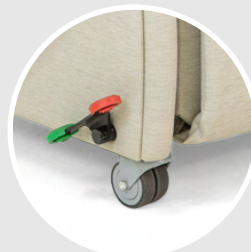
FINGER PULL



PAPERROLL OPTION



MULTIPE CASTER OPTIONS



FOLDING ARM



Materials

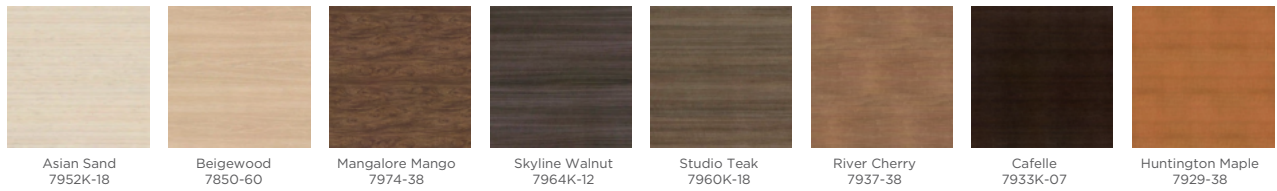
Polyester

Arm caps



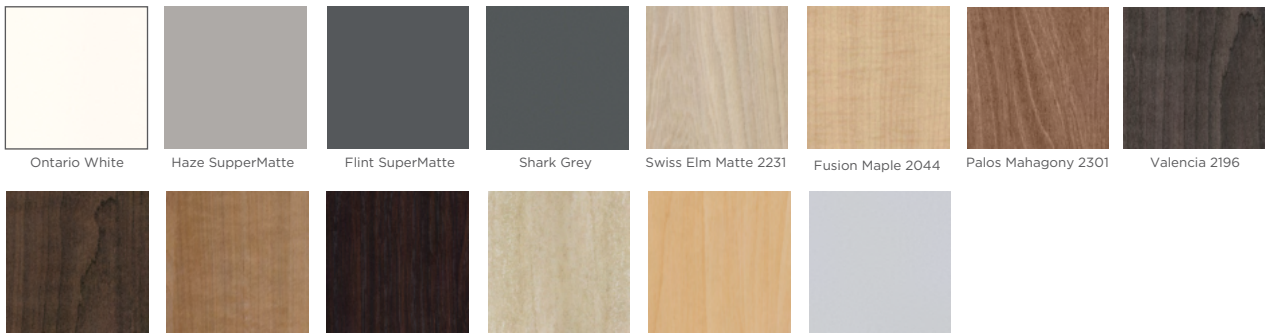
Laminate

Tablets



Thermofoil

Tablets



Solid Surface

Tablets / Arm caps

