

Suspend Powered Recliner with Stand & Lift Assist

628-25M



Furniture that makes a difference.

Product Description

Straight Back Motorized Recliner with Stand & Lift Assist

628S-25M

Style: Suspend, Straight back

Model: 628S-25M

Mechanism: Motorized with patient stand assist

Operation: Motorized mechanism that easily lifts patient to standing position

Flare Back Motorized Recliner with Stand & Lift Assist

628S-25M

Style: Suspend, Flare back

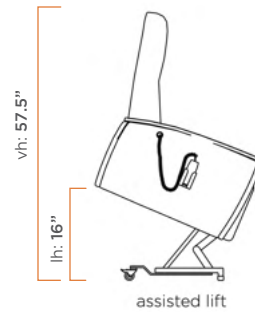
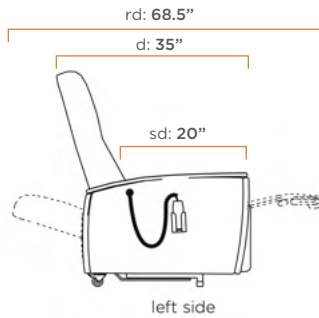
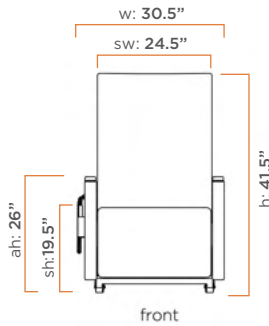
Model: 628F-25M

Mechanism: Motorized recliner with patient stand assist

Operation: Motorized mechanism that easily lifts patient to standing position

Dimensions

W	D	H	SW	SD	SH	RD	LH	VH	AH	COM	WT Cap
30.5"	35"	41.5"	24.5"	20"	19.5"	68.5"	16"	57.5"	26"	8 yds	550 lbs



Design Features

- Assists patients to their feet, giving them a sense of independence and dignity
- Facilitates caregivers' strenuous task of assisting patients
- Effortless reclining at a touch of a button for patients of any physical condition
- Multiple reclining positions including; lay flat and trendelenburg
- Adjust back and footrest independently to find the most comfortable positions
- Locking caster base for easy and safe mobility

Performance & Environmental Sustainability

- 550 lb capacity
- HHI Compliant
- 12 Year Warranty
- Air Quality Certification BIFMA

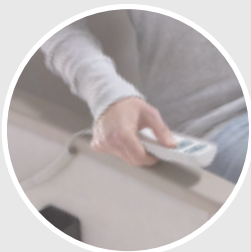
Options

- 4628F** Flare back
- 4628PEA** Polyester arm caps / Specify color
- 4628SSA** Solid surface arm caps / Artic White
- 4628AHB** Adjustable head bolster / Straight back style

Accessories

- | | |
|---|---|
| 4000DBH Drainage bag hook-up / set of two | 4000IPC iPad Cradle |
| 4000XTH Oxygen tank holder | 4000SPT2 BKH Swivel Profile Tablet / 14x19 Thermofoil Top |
| 4000XMB1 Seat moisture barrier | 4000SPT2X BKH swivel profile tablet / 15 x 21.5 thermofoil top |
| 4000PBS Soft grip push bar | 4000FST Folding side tablet / 10x13 thermofoil top |
| 4000IVP IV Pole & holder | 4000FSTX Folding side tablet / 10x17 thermofoil top |
| 4000IVH IV Pole holder only | 4000FCW Foot control switch / 1 button |
| 4000CTB1 Cal 133 flammability | 4000FC3 Foot control switch / 3 button |
| 4000PRD Paper roll dispenser / attached to back of chair | 4000POP One 3-prong outlet / no USB |
| 4000FRG Footrest guards / black plastic | 4000USB-P Two USB ports - round plug with power cord |
| 4000FAR Folding Arm | 4000PCS61A One 3-prong outlet & 2 USB ports with power cord |
| 4000OBS OB Stirrups | 4000HG-GD One 3-prong outlet & 1 USB ports with power cord |
| 4000RFT Rolling foot tray | FPT 300 lb Footrest (Fall Prevention Technology) |
| 4000ETV Ergotron TV arm / no wiring | |
| 4000HSL-NM Heated seat & lumbar | |
| 4000HC-MSG Heated seat & lumbar with massage | |

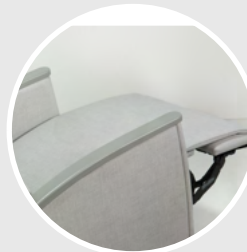
EFFORTLESS RECLINE



STABLE FOOTPRINT



CONTINUOUS FOOTREST



MULTIPLE POSITIONS



Materials

Polyester

Armchairs / Footrest Lever



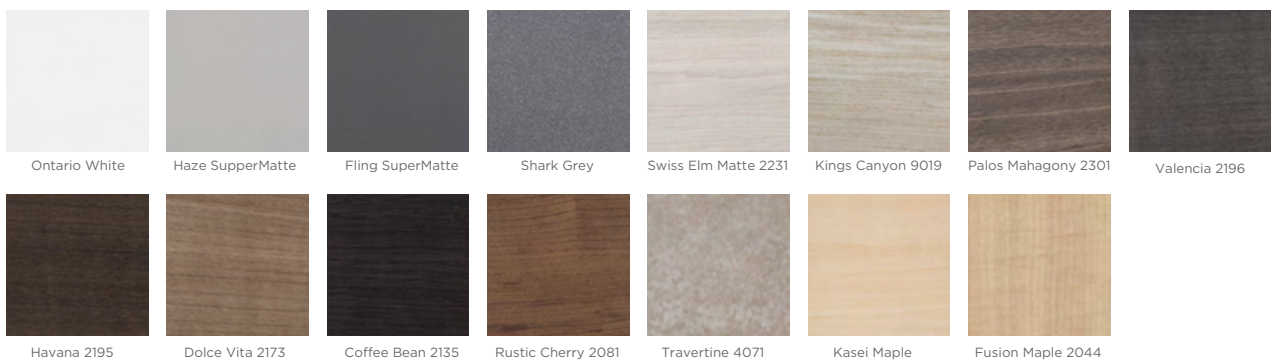
Laminate

Tablets



Thermofoil

Tables



LG Finishes

Tables

