

Behavioral Health Recliner: Three Position Sleeper

628-11PR



Furniture that makes a difference.

Product Description

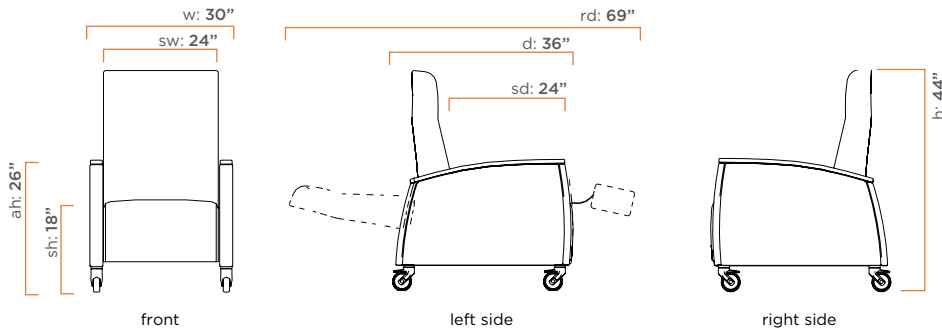
Behavioral health three position push on the arm sleeper recliner

628S-11PR

Style: Suspend**Model:** 628S-11PR**Mechanism:** Push on the arm**Operation:** Three position push on the arm recliner, including almost lay-flat, that activates footrest

Dimensions

W	D	H	SW	SD	SH	RD	AH	COM	WT Cap
30"	36"	44"	24"	24"	18"	69"	26"	7 yds	550 lbs



Design Features

- Tamper-resistant screws
- Weighted for safety
- Plastic guard covering the bottom of the footrest (no exposed screws)
- Compression dowels on arm caps
- Vertical steel plate mounted under the seat prevents access to the recliner's internals from the front and bottom
- Non-removable panels
- Steel plate scissor guards on the inside and outside of the footrest mechanism
- Flap sewn on a metal stretcher limits access to recliner internals from back
- Footrest scissor guard

Performance & Environmental Sustainability

- 550 lb capacity
- HHI Compliant
- 12 Year Warranty
- Air Quality Certification BIFMA

Options

Arm Cap Options

- STANDARD** Upholstered arm caps
- STANDARD** Wood arm caps / Specify color
- 4628PEA** Polyester arm caps / Specify color
- 4628SSA** Solid surface arm caps / Artic White

Caster Options

- STANDARD** 3" Swivel locking casters

Materials

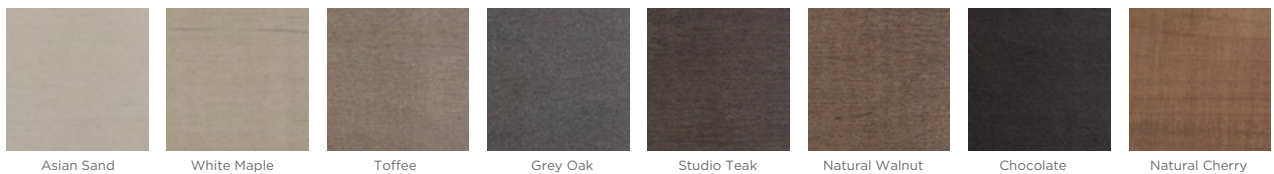
Polyester

Arm caps



Wood

Arm caps



Solid Surface

Arm caps

