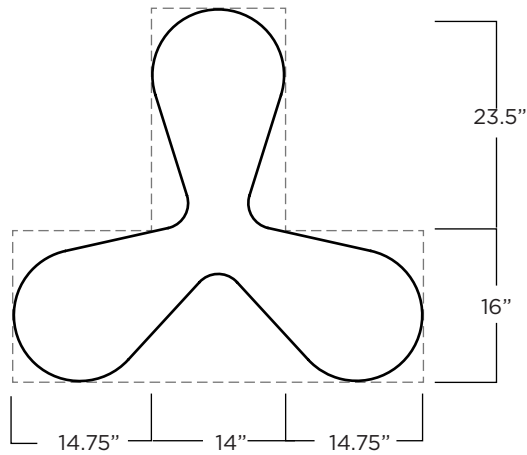




 IOA
FunForms collection



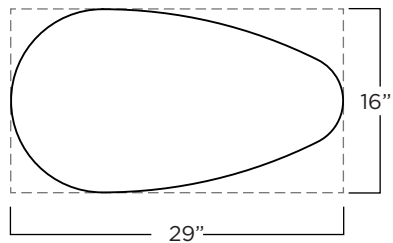
FP-01 "Splat"



FunForms Collection

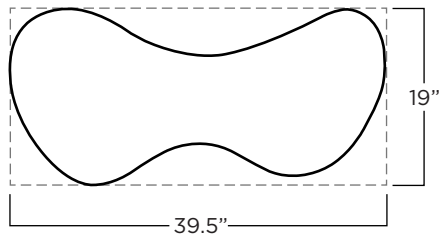


FP-02 "Drip"





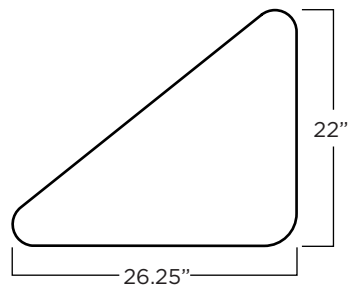
FP-04 "Plop"



FunForms Collection



FP-05 "Triangle"



FunForms Collection

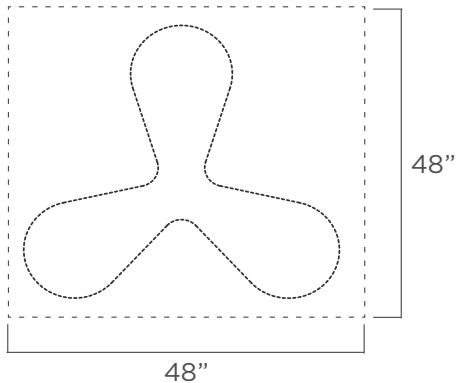
Durable Upholstery Cover



High Resilient 2%
Soy Based Foam

Wood Base

Glides



Design parameters for designing your own piece:

- * Draw a shape with a maximum overall size of 48" x 48"
- * Specify a height within 10"-36"
- * Send us the drawing in any format
(*sketch on paper, cad, sketch-up etc...*)

*Submit drawings to and we will
reply with a rendering and quote:*

email: FunForms@ioa-hcf.com

mail:

IOA

Attn: FunForms

829 Blair St.

Thomasville, NC 27360

for questions call: 336-475-7106 / FunForms dept.



Design your own piece

With a very simple process, you can design your own piece. Simply provide us with a drawing of your shape, some basic dimensions, and we will reply with a 3D rendering, specifications and a price. Our CNC driven manufacturing is then ready to turn your design into a finished product.

The page inside outlines some simple instructions, and construction details.

IOA Healthcare Furniture
829 Blair Street
Thomasville, NC 27360

phone: 336-475-7106
web: www.ioa-hcf.com

