

# Safe Patient Handling Recliner

---

628-52hl



Furniture that makes a difference.

## Product Description

### Straight back safe patient handling recliner

628S-52hl

**Style:** Suspend

**Model:** 628s-52hl

**Mechanism:** Sleeper with reverse recline and hydraulic vertical lift

**Operation:** Independent footrest and back recline with pedal operated reverse recline. Hydraulic feature allows chair to be mobile

### Flare back safe patient handling recliner

628F-52hl

**Style:** Suspend

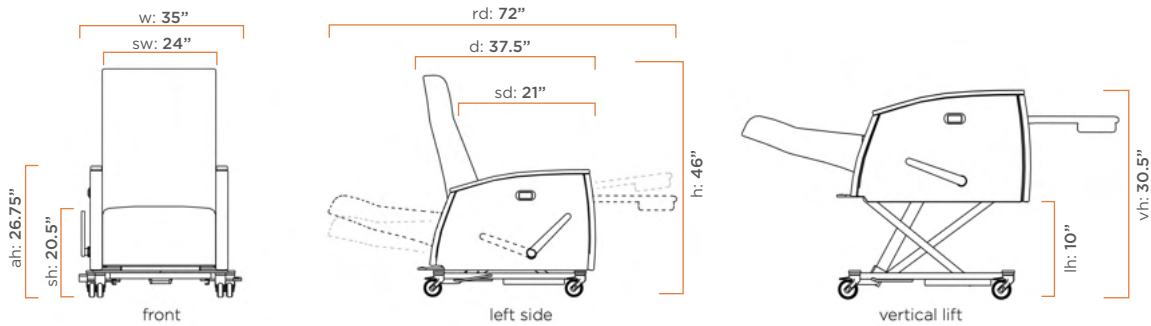
**Model:** 628f-52hl

**Mechanism:** Sleeper with reverse recline and hydraulic vertical lift

**Operation:** Independent footrest and back recline with pedal operated reverse recline. Hydraulic feature allows chair to be mobile

## Dimensions

W	D	H	SW	SD	SH	RD	LH	VH	AH	COM	WT Cap
35"	37.5"	46"	24"	21"	20.5"	72"	10"	30.5"	26.75"	7 yds	550 lbs



## Design Features

- Brings patient to bed level for safe and easy transfer
- Hydraulic mechanism allows for effortless lift
- Incremental back adjustment with independent footrest lever
- Vertical movement facilitates ease to stand for weakened patients
- Reduces risk of painful and costly injuries to caregivers
- 550 lb Weight Capacity

## Performance & Environmental Sustainability

- 550 lb capacity
- HHI Compliant
- 12 Year Warranty
- Air Quality Certification BIFMA

## Options

- 4628F** Flare back
- 4628PEA** Polyester arm caps / Specify color
- 4628SSA** Solid surface arm caps / Artic White
- 4628AHB** Adjustable head bolster / Straight back style

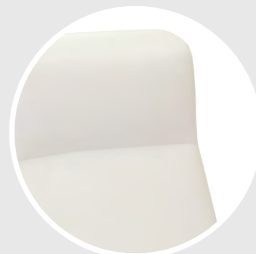
## Accessories

- |   |   |
|---|---|
| <b>4000DBH</b> Drainage bag hook-up / set of two                | <b>4000IPC</b> iPad Cradle  |
| <b>4000XTH</b> Oxygen tank holder                               | <b>4000SPT2</b> BKH Swivel Profile Tablet / 14x19 Thermofoil Top      |
| <b>4000XMB1</b> Seat moisture barrier                           | <b>4000SPT2X</b> BKH swivel profile tablet / 15 x 21.5 thermofoil top |
| <b>4000PBS</b> Soft grip push bar                               | <b>4000FST</b> Folding side tablet / 10x13 thermofoil top             |
| <b>4000IVP</b> IV Pole & holder                                 | <b>4000FSTX</b> Folding side tablet / 10x17 thermofoil top            |
| <b>4000IVH</b> IV Pole holder only                              | <b>4000SWT</b> Swiveling side tablet / 10x13 thermofoil top           |
| <b>4000CTB1</b> Cal 133 flammability                            | <b>4000SWTX</b> Swiveling side tablet / 10x17 thermofoil top          |
| <b>4000PRD</b> Paper roll dispenser / attached to back of chair | <b>4000POP</b> One 3-prong outlet / no USB                            |
| <b>4000FRG</b> Footrest guards / black plastic                  | <b>4000USB-P</b> Two USB ports - round plug with power cord           |
| <b>4000FAR</b> Folding Arm                                      | <b>4000PCS61A</b> One 3-prong outlet & 2 USB ports with power cord    |
| <b>4000RFT</b> Rolling foot tray                                | <b>4000HG-GOD</b> One 3-prong outlet & 1 USB ports with power cord    |
| <b>4000ETV</b> Ergotron TV arm / no wiring                      | <b>FPT</b> 300 lb Footrest (Fall Prevention Technology)               |
| <b>4000HSL-NM</b> Heated seat & lumbar                          |   |
| <b>4000HC-MSG</b> Heated seat & lumbar with massage             |   |

GAPLESS FOOTREST



CONTOURED BACK



MULTIPE CASTER OPTIONS



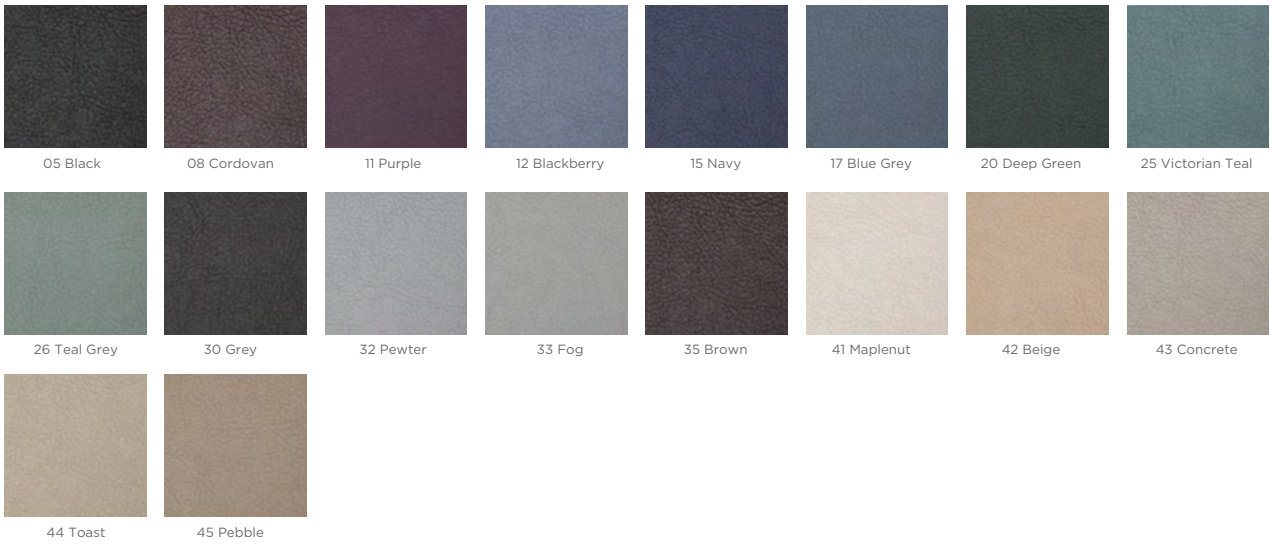
12" HYDRAULIC LIFT



# Materials

## Polyester

Armchairs / Footrest Lever



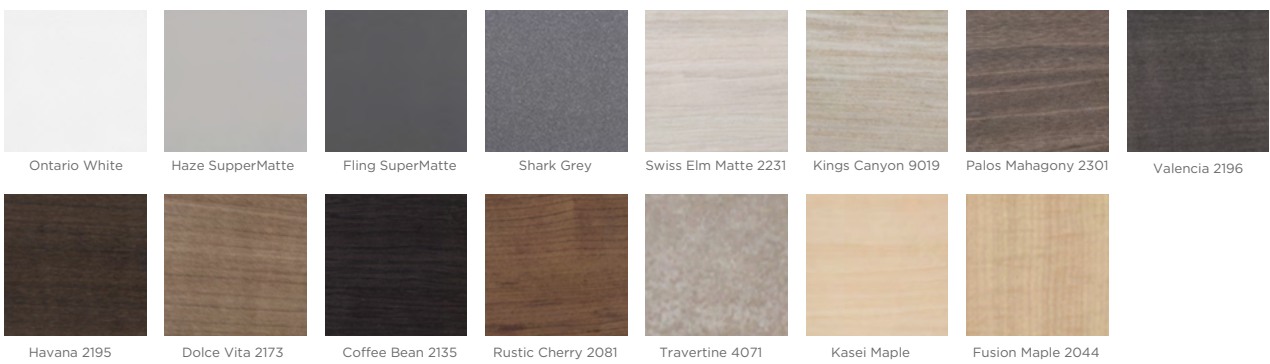
## Laminate

Tablets



## Thermofoil

Tables



## LG Finishes

Tables

